

# Bluetooth<sup>®</sup> Helmet Headset

## #HS-WLS465 Series



# Owner's Manual

# Table of Contents

Product Description	Section 1	Installation Instructions For 3/4 Style Helmets	Section 6B
Safety & General Information	Section 2	Installation Instructions For Shorty Style Helmets	Section 6C
Performance Features	Section 3	General Operation Instructions	Section 7
Package Contents	Section 4	Operation Instructions	Section 8
Controls and Functions	Section 5		
Installation Instructions For Full Coverage & Flip Front Style Helmets	Section 6A		

## 1. Product Description

J&M's #HS-WLS465 performance series stereo Bluetooth wireless helmet headset is designed for installation into most open-face, flip-front and full-face style helmets.

Superior audio fidelity has been achieved with our Ultra-slim and wide-fidelity helmet speakers, along with increased headset audio amplifier output power.

Bluetooth control head unit features the CSR BluecoreV enhanced data rate (EDR) Bluetooth module, for easy pairing to most Bluetooth enabled audio devices available; Smartphone, Cell-Phone, Bluetooth enabled GPS, MP3, iPod music devices etc, along with custom dongles for connection to certain portable FRS radios and motorcycle audio systems.

Multifunctional software package includes an embedded FM stereo receiver, standard Bluetooth profiles of HSP, (Headset Profile) HFP, (Hands Free Profile), A2DP (Advanced Audio Distribution Profile) & AVRCP (Audio/Video Remote Control Profile), along with the J&M Exclusive helmet to helmet, bike-to-bike intercom profile.

Up to three headsets can be paired together for crystal clear intercom communications at distances of up to 500 meters. (An Unlimited number of bike-to-bike intercom connections are available, at distances of up to 1.5 miles, when headsets are linked to Bluetooth enabled FRS portable radios).

Built-in 3.5mm stereo output jack designed for using in-ear speakers or earbuds. Large, contour molded external control buttons allow for ease of use, even with gloves on.

Control head is powered by a rechargeable Lithium Ion/Polymer power cell providing 9-13 hours of use from a full charge.

This helmet headset kit includes all necessary mounting hardware, 110/220v charger adapter/transformer and complete installation/operation instructions.

## 2. Safety and General Information

### IMPORTANT INFORMATION OF SAFE AND EFFICIENT OPERATION. READ THIS INFORMATION BEFORE USING YOUR DEVICE.

Users are not permitted to make changes or modify the device in any way. Changes or modifications not expressly approved by the party responsible for compliance could void the user's authority to operate the equipment. See 47 CFR Sec. 15.21.

This device complies with part 15 of the FCC Rules. Operation is subject to the following two conditions: (1) This device may not cause harmful interference, and (2) this device must accept any interference received, including interference that may cause undesired operation. See 47 CFR Sec. 15.19 (3).

### ELECTROMAGNETIC INTERFERENCE/COMPATIBILITY

Note: Nearly every electronic device is susceptible to electromagnetic interference (EMI) if inadequately shielded, designed or otherwise configured for electromagnetic compatibility.

### FACILITIES

To avoid electromagnetic interference and/or compatibility conflicts, turn off your device in any facility where posted notices instruct you to do so. Hospitals or health care facilities may be using equipment that is sensitive to external RF energy.

### AIRCRAFT

When instructed to do so, turn off your device when on board an aircraft. Any use of a device must be in accordance with applicable regulations per airline crew instructions.

## MEDICAL DEVICES

### HEARING AIDS

Some devices may interfere with some hearing aids. In the event of such interference, you may want to consult with your hearing aid manufacturer to discuss alternatives.

### OTHER MEDICAL DEVICES

If you use any other personal medical device, consult the manufacturer of the device to determine if it is adequately shielded from RF energy. Your physician may be able to assist you in obtaining this information.

### Industry Canada Notice to Users

Operation is subject to the following two conditions: (1) This device may not cause interference and (2) This device must accept any interference, including interference that may cause undesired operation of the device.

### FCC Notice to Users

This equipment has been tested and found to comply with the limits for a Class B digital device, pursuant to part 15 of the FCC Rules. These limits are designed to provide reasonable protection against harmful interference in a residential installation. This equipment generates uses and can radiate radio frequency energy and, if not installed and used in accordance with the instructions, may cause harmful interference to radio communications. However, there is no guarantee that interference will not occur in a particular installation. If this equipment does cause harmful interference to radio or television reception, which can be determined by turning the equipment off and on, the user is encouraged to try to correct the interference by one or more of the following measures:

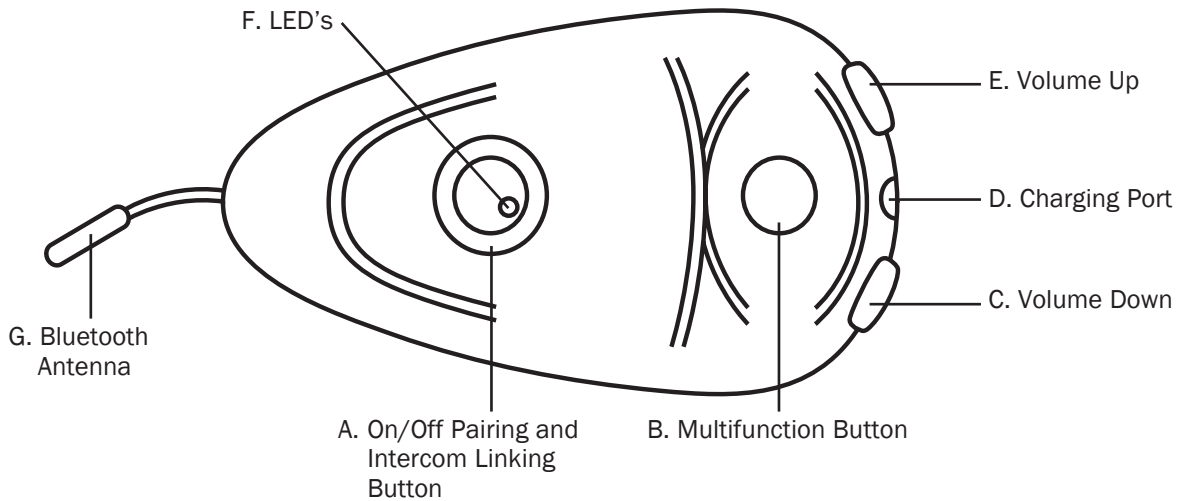
- Reorient or relocate the receiving antenna.
- Increase the separation between the equipment and the receiver.
- Connect the equipment to an outlet on a circuit different from that to which the receiver is connected.
- Consult the dealer or an experienced radio/TV technician for help.

## 3. Performance Features

- High Power Audio Output
- True Two Channel Stereo
- Integrated Helmet-to-Helmet, Bike-to-Bike Wireless Intercom
- Bluetooth Volume Controls
- HSP (Headset Profile)
- HFP (Handsfree Profile)
- A2DP (Advanced Audio Distribution Profile ((Streaming Stereo))
- AVRCP (Audio Video Remote Control Profile)
- ICP (Intercom Profile)

## 4. Package Contents

- HS-WLS465 Head Unit
- AC Battery Charger
- Two Helmet Speakers
- Microphone
- Clamp Assembly
- Velcro
- Owner's Manual



## 5. Controls and Functions

### A. ON/OFF Pairing and Intercom Linking Button

– Used for turning on/off, pairing mode for Bluetooth, and linking headsets for intercom use.

**B. Multifunction Button** – Used for answering cell phone calls; rejecting cell phone calls, toggling between music from an A2DP device or the Built in FM Stereo Radio.

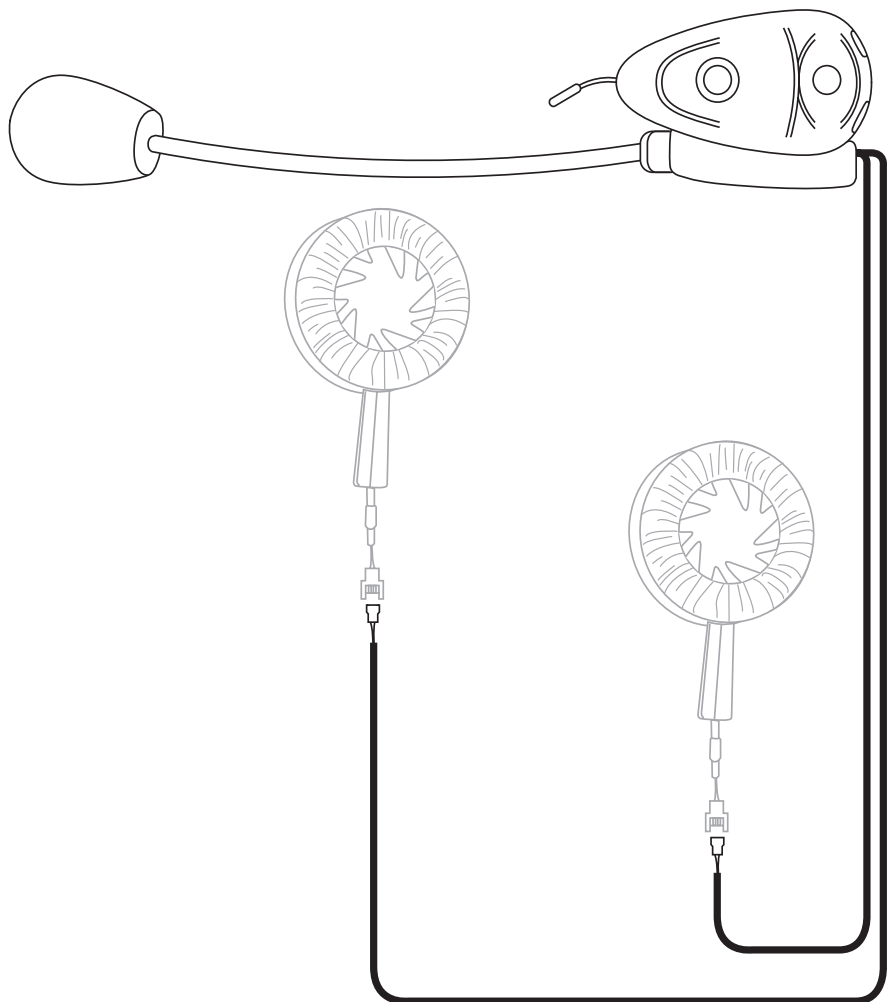
**C. Volume Down** – Allows Bluetooth A2DP music, FM Radio, Cell Phone, and Intercom volume-down adjustment by pressing and holding the volume-down button. Momentarily press once for track-down on A2DP device or if in FM mode station seek tuning-down. Press twice to dial last number called on cell phone.

**D. Charging Port** – This plug is used to charge the lithium ion/polymer power cell with charger adapter.

**E. Volume Up** – Allows Bluetooth A2DP music, FM Radio, Cell Phone, and Intercom volume-up adjustment by pressing and holding the volume-up button. Momentarily press once for track-up on A2DP device or if in FM mode station seek tuning-up. Press twice for voice command dialing mode on cell phone.

**F. Linked/Pairing and Power LED** – The LED will flash blue when the headset is powered on. The LED will alternately flash red and blue when in pairing mode. The LED will illuminate steady red when plugged into the charger and will shut off when fully charged.

**G. Bluetooth Antenna**



## J&M Wireless 465 Series Helmet Headset Installation Instructions

**WARNING!** Helmet speakers may not be legal in all jurisdictions. Check your local laws BEFORE using this product. J & M Corporation cannot control the circumstances surrounding the sale of this equipment, the quality of installation, or the specific helmet into which this equipment is installed. Accordingly, J & M Corporation makes no warranties, expressed or implied, related thereto. A helmet with this equipment installed may not protect the user from injury. The user assumes all liability in conjunction with accidents, injuries or losses of any kind arising out of the use of this product. Additionally, this product should not be used in any way that would impair the user's ability to hear traffic or other noises. Accordingly, the volume should be kept low or off, depending upon the circumstances.

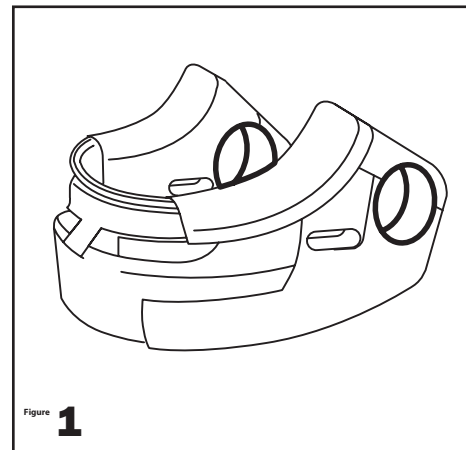
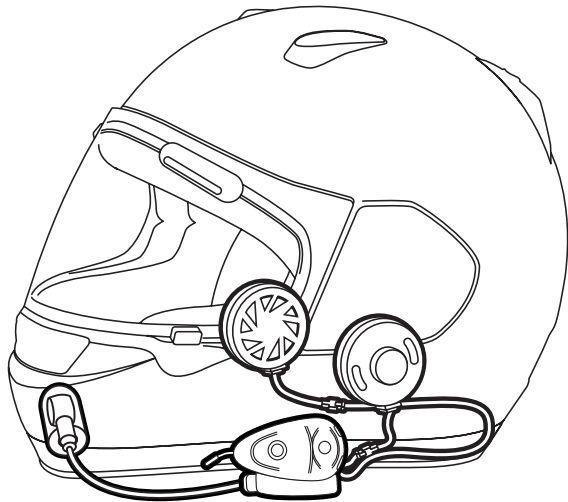


Figure 1

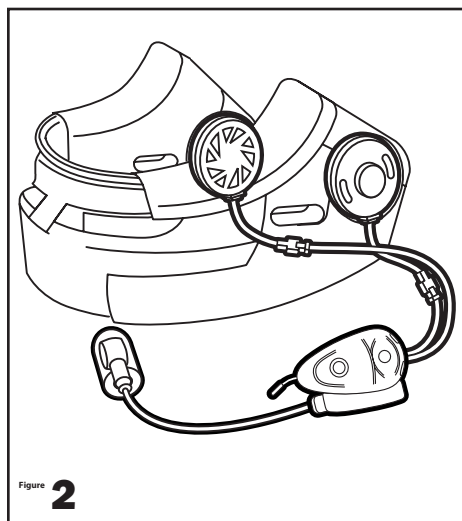


Figure 2

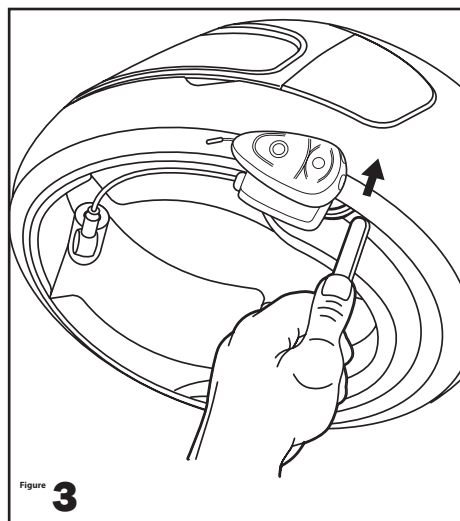


Figure 3

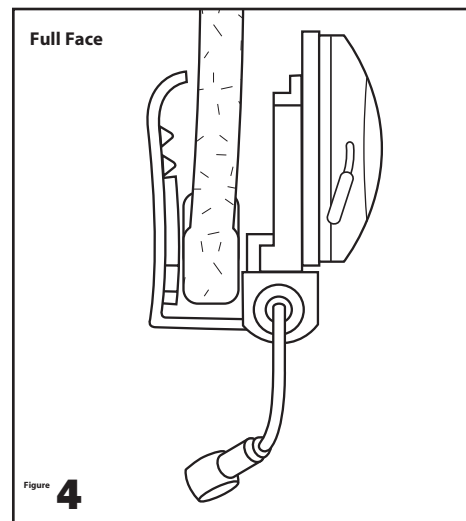


Figure 4

**IMPORTANT NOTE:** Modern day helmets can present special challenges for wireless headset installation. If you do not feel you are up to the task, you may send your "un-modified" helmet to our factory in Tucson and we will perform the installation for a nominal fee. (Please call first to insure that we are able to install a headset into your particular brand/model of helmet.)

### Installation into Full-Coverage Style Helmet

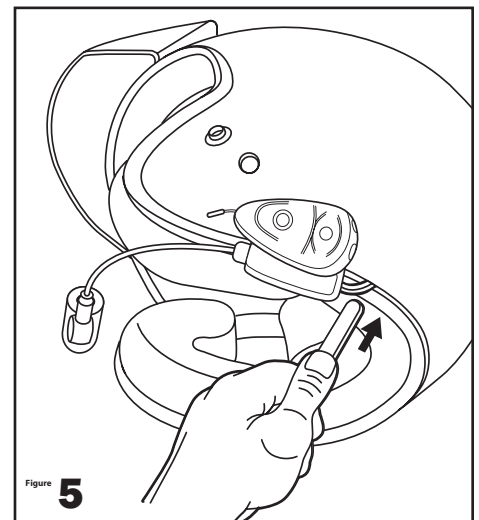
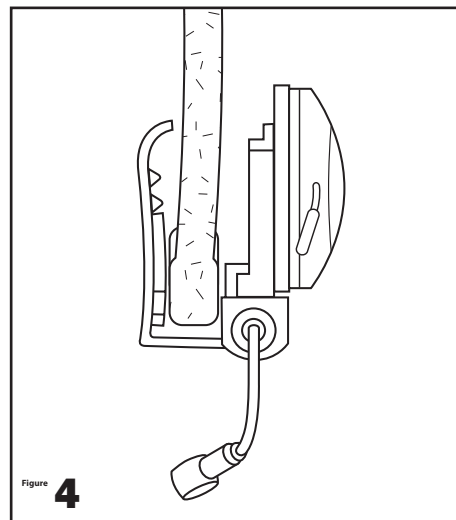
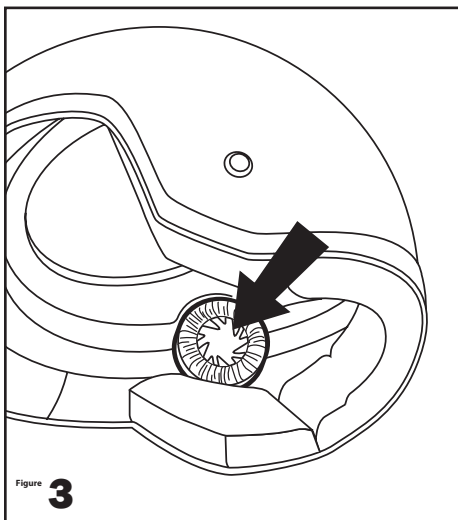
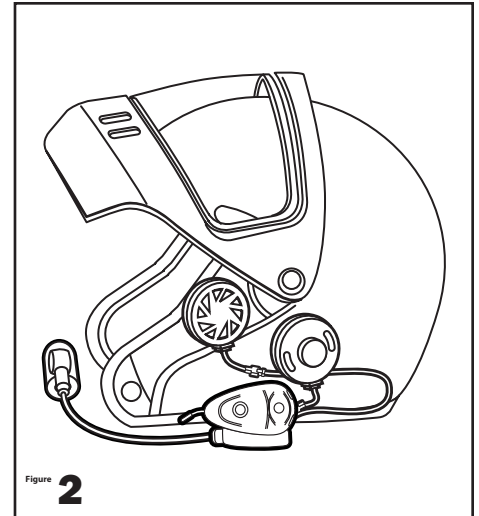
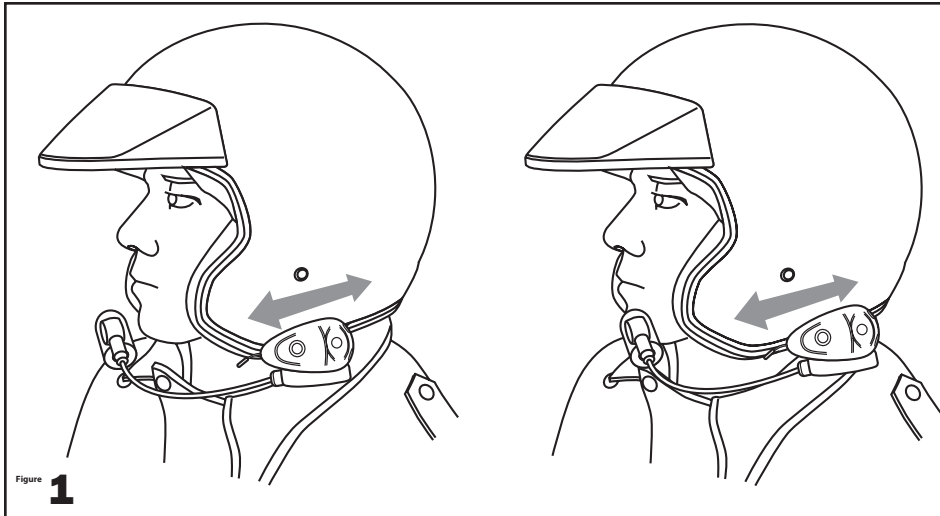
1. Most full coverage-style helmets have cheek pads or a complete nose section that can be removed. Carefully do so at this time, paying special attention so as not to break or damage any of the polystyrene parts.
2. Using a headset speaker as a guide, mark the circular pieces of styrene to be removed from the back of the ear area of the nose section or the cheek pad. **See Figure 1.** With an Exacto® knife, cut a hole slightly smaller than the speaker so that the speaker will "press fit" into the hole without damaging the styrene. An airtight seal is necessary to preserve bass response as the sound pressure from the back of the speaker housing should not be allowed to mix with the sound pressure from the front. Also, be careful not to cut or damage the fabric lining.
3. Place the speakers into the cheekpads. **See Figure 2.**
4. Clean the inside of the helmet shell where the speakers will be positioned with a cloth dampened with alcohol. Peel the backing from each supplied Velcro pad and press it into the proper position for the speakers to contact when the helmet is re-assembled.
5. Reinstall the nose section and/or cheek pads. Push the speakers firmly against the Velcro® pads
6. Mount the clamp in the proper position on the left bottom edge of the helmet so that the microphone lines up with the wearer's mouth. **See Figure 3.** and then tighten the clamp with the rubber friction spacer in place. **See Figure 4.**
7. Using the included wooden tool, carefully push the wires into the gap between the helmet liner and shell. **See Figure 3.**

## 6B. Installation Instructions For Most Open-Face & Flip Front Style Helmets



# J&M Wireless 465 Series Helmet Headset Installation Instructions

**WARNING!** Helmet speakers may not be legal in all jurisdictions. Check your local laws BEFORE using this product. J & M Corporation cannot control the circumstances surrounding the sale of this equipment, the quality of installation, or the specific helmet into which this equipment is installed. Accordingly, J & M Corporation makes no warranties, expressed or implied, related thereto. A helmet with this equipment installed may not protect the user from injury. The user assumes all liability in conjunction with accidents, injuries or losses of any kind arising out of the use of this product. Additionally, this product should not be used in any way that would impair the user's ability to hear traffic or other noises. Accordingly, the volume should be kept low or off, depending upon the circumstances.



### Installation into most Open-Face or Flip-Front Style Helmets

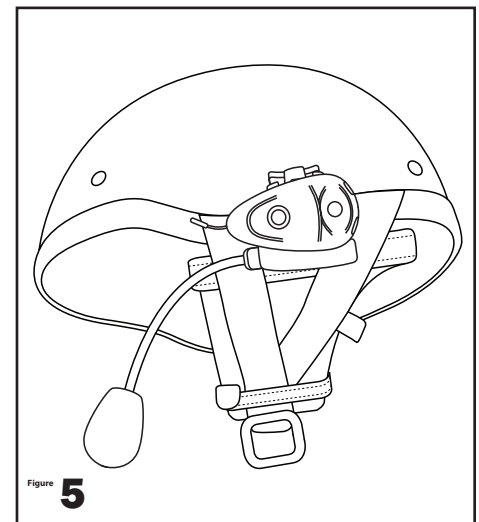
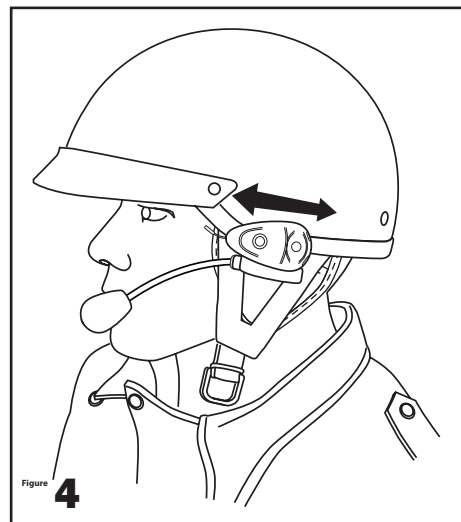
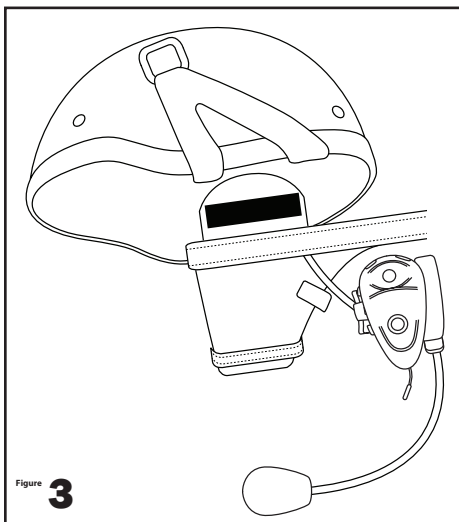
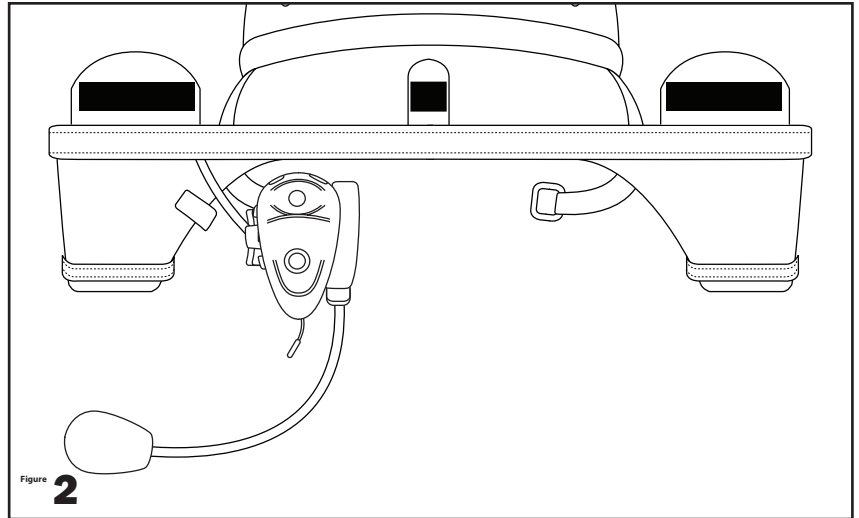
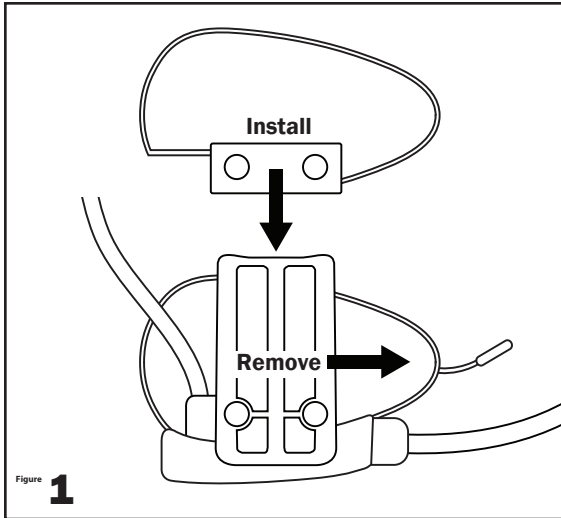
1. Begin by examining the ear pocket area in your helmet, make sure that there is sufficient room to mount the speaker in each ear pocket. (It is important to have the helmet fit and feel the same after the speakers are mounted as it did before the headset was installed.)

Once you have made room for and/or positioned the speakers, remove them. **See Figures 3.**

2. Clean the bottom of each ear pocket with a cloth dampened with alcohol. Peel the backing from the supplied Velcro® pads and press them into the bottom of each ear pocket.
3. Mount the clamp in the proper position on the left bottom edge of the helmet so that the microphone lines up with the wearer's mouth. **See Figure 1.** and then tighten the clamp with the rubber friction spacer in place. **See Figure 4.**
4. Position the speakers in their proper place in the ear pockets and press them firmly onto the Velcro® pads.
5. Using the enclosed wooden tool, carefully push the speaker wires into the gap between the helmet liner and shell. **See Figure 5.**

## J&M Wireless 465 Series Helmet Headset Installation Instructions

**WARNING!** Helmet speakers may not be legal in all jurisdictions. Check your local laws BEFORE using this product. J & M Corporation cannot control the circumstances surrounding the sale of this equipment, the quality of installation, or the specific helmet into which this equipment is installed. Accordingly, J & M Corporation makes no warranties, expressed or implied, related thereto. A helmet with this equipment installed may not protect the user from injury. The user assumes all liability in conjunction with accidents, injuries or losses of any kind arising out of the use of this product. Additionally, this product should not be used in any way that would impair the user's ability to hear traffic or other noises. Accordingly, the volume should be kept low or off, depending upon the circumstances.



### Installation into Shorty Style Helmets

1. Begin by removing the back-clamp from the headset assembly and replacing it with the provided adhesive backed mounting plate.
2. Install the headset by first inserting the small center tab on the headset into the back of your helmet between the interior and outer shell of your helmet. **See Figure 2.**
3. Insert the large tab on the left side of the headset into your helmet in the same manner making sure that the headset is on the inside of the retention strap on your helmet. **See Figure 3.**
4. Repeat this procedure for the right side.
5. Reposition both sides of the headset as necessary so that both speakers are correctly positioned over your ears.
6. Remove the Bluetooth module from the mounting plate/microphone assembly, then position the mounting plate on the left side of the helmet so that the microphone lines up with the wearers mouth. **See Figure 4.** Once the correct position has been determined, clean the area of the helmet where the mounting plate will be affixed, then peel the backing from the adhesive mounting tape and install the assembly on to the helmet. Press firmly for a few moments to make sure the assembly is securely attached to the helmet. Reinstall the Bluetooth module on to the mounting-plate/microphone assembly.
7. Complete the installation by routing both helmet straps through the small retention loops on both sides of the headset.

## 7. General Operation of the HS-WLS465

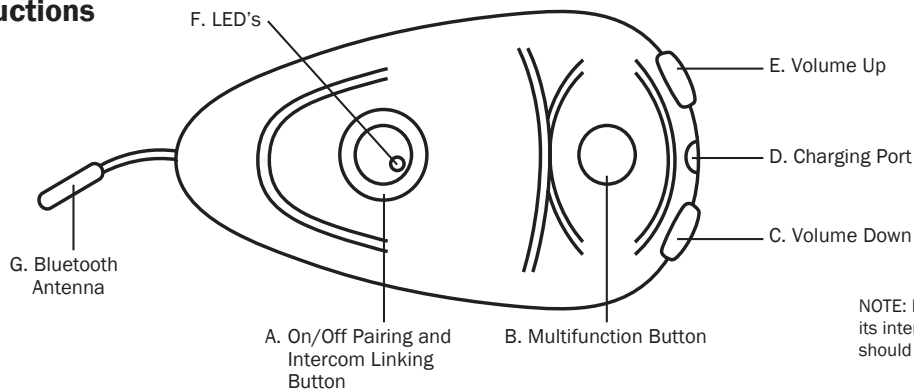
1. Plug the supplied AC adapter into the rear jack (D) on the HS-WLS465. The red LED will turn on to indicate that the Battery is charging. The red LED will turn off when the battery is fully charged (3.7v) and ready for use. The charger can also be left plugged into the unit for extended periods of time, without overcharging the battery; it will simply maintain the charge to maximum.
2. To turn on the HS-WLS465 press and hold the on/off pairing and intercom linking button (A) for 8 seconds. The Blue LED will flash.
3. To turn off the HS-WLS465 press and hold the on/off pairing and intercom linking button (A) for 10 seconds.
4. To put the unit into pairing mode, start in the OFF state, then press and hold the On/Off Pairing and Intercom Linking Button for 10 seconds or until the red and blue LED alternately flash, at which point the HS-WLS465 is now in pairing mode.
5. For volume-up adjustments on Bluetooth A2DP music, FM Radio, Cell Phone, and/or intercom, press and hold the volume-up button. Momentarily press the volume-up button once for track-up on A2DP

- device or if in FM mode station seek tuning-up. Press twice for voice command dialing mode on cell phone.
6. For volume-down adjustments on Bluetooth A2DP music, FM Radio, Cell Phone, and/or intercom, press and hold the volume-down button. Momentarily press the volume-down button once for track-down on A2DP device or if in FM mode station seek tuning-down. Press twice to dial last number called on cell phone.
  7. Use the multifunction button for answering cell phone call, (depress once) rejecting cell phone calls, (double press) or toggling between music from an A2DP device or the Built in FM Stereo Radio (double press).

### Supported Bluetooth Profiles:

- HSP (Headset Profile)
- HFP (Handsfree Profile)
- A2DP (Advanced Audio Distribution Profile ((Streaming Stereo))
- AVRCP (Audio Video Remote Control Profile)
- ICP (Intercom Profile)

## 8. Operation Instructions



NOTE: Before using the HS-WLS465, its internal lithium/polymer power cell should be charged for at least 6 hours.

### FM Operation.

1. Turn on the HS-WLS465.
2. Turn on the FM radio by pressing the Multifunction Button (B) twice in rapid succession.
3. To tune the radio stations on the FM quickly press and release the volume-up (E) or volume-down (C) buttons.
4. To raise or lower the volume level on FM stereo, press and hold either the volume-up (E) or volume-down (C) buttons to a comfortable listening level.

### Pairing and Operation with a Bluetooth Enabled MP3 Player (iTouch) or Stereo A2DP Dongle.

1. Power-on the MP3 player or stereo dongle & put it into pairing mode. Put the HS-WLS465 into a pairing mode. Both the MP3 player or stereo dongle and the HS-WLS465 LED's will be flashing rapidly until the two unit's pair and the LED's flash at a slower rate.
2. To set the music volume, adjust the volume of the HS-WLS465 to maximum by pressing and holding the volume-up (E) button first. Then adjust the MP3 or music source volume that is feeding the dongle to a volume level in the headset that is just before distortion. Then press and hold the volume down (C) button of the HS-WLS465 to a comfortable listening level.
3. If you wish to pause/play the music while riding, briefly depress the multifunction button (B).
4. If you wish to use the FM stereo radio depress the multifunction button (B) twice rapidly.
5. To switch back to Bluetooth music again depress the multifunction button (B) twice rapidly.

### Pairing and Operation with a Bluetooth enabled Cell/Smart Phone.

1. Put the HS-WLS465 into pairing mode. Select the hands-free menu on the cell phone, go into the Bluetooth section and search for devices. When JM\_CORP\_WHS\_01 is displayed on your screen and you are asked for a passkey, enter: 0000. Your cell phone should now be paired with the HS-WLS465.
2. When receiving an incoming call, the incoming call indicator "alert tone" will be heard in the headset speakers. If the cell phone is set to auto-answer mode, the call will automatically be connected to the HS-WLS465; if the phone is not set to auto-answer the multifunction button (B) can be depressed briefly to connect the call. To reject the incoming call, press the multifunction button (B) twice rapidly, or just ignore the call.
3. Press and hold the volume-up (E) or volume-down (C) buttons to adjust the phone volume during the cell phone conversation. Additional cell phone volume adjustments can also be made on the cell phone itself, but during actual conversation only.
4. To terminate the phone call from the HS-WLS465, depress the multifunction button (B) briefly or just wait until the party that you were speaking with hangs up.
5. To utilize "voice command" dialing, (the cell phone must support this feature), press the volume up button (E) twice rapidly and listen for the voice/tone prompt from the cell phone. To redial the last number called, briefly press the volume down button (C) twice rapidly.
6. If you wish to use the FM stereo radio, in conjunction with the cell phone monitoring, depress the multifunction button (B) twice rapidly.
7. To hear stereo music files and/or navigation commands from your smart-phone/multimedia device into the headset speakers, refer to the operations manual for your particular unit, that concern stop/start, play/pause, navigation prompts etc when using a linked Bluetooth headset.

## **Pairing and Operation with a Bluetooth Enabled Cell/Smart Phone and a Bluetooth Enabled MP3 Player or Stereo Dongle.**

1. Power-on the MP3 player or stereo dongle & put it into pairing mode. Put the HS-WLS465 into a pairing mode. Both the MP3 player or stereo dongle and the HS-WLS465 LED's will be flashing rapidly until the two unit's pair and the LED's flash at a slower rate.
2. To set the music volume, adjust the volume of the HS-WLS465 to maximum by pressing and holding the volume-up (E) button first. Then adjust the MP3 or music source volume that is feeding the dongle to a volume level in the headset that is just before distortion. Then press and hold the volume down (C) button of the HS-WLS465 to a comfortable listening level.
3. If you wish to pause/play the music while riding, briefly depress the multifunction button (B).
4. If you wish to use the FM stereo radio depress the multifunction button (B) twice rapidly.
5. To switch back to Bluetooth music again depress the multifunction button (B) twice rapidly.
6. Turn the WLS-465 headset off, then back on and into pairing mode. Select the hands-free menu on the cell phone, go into the Bluetooth section and search for devices. When JM\_CORP\_WHS\_01 is displayed on your screen and you are asked for a passkey, enter: 0000. Your cell phone should now be paired with the HS-WLS465.
7. When receiving an incoming call, the incoming call indicator "alert tone" will be heard in the headset speakers. If the cell phone is set to auto-answer mode, the call will automatically be connected to the HS-WLS465; if the phone is not set to auto-answer the multifunction button (B) can be depressed briefly to connect the call. To reject the incoming call, press the multifunction button (B) twice rapidly, or just ignore the call.
8. Press and hold the volume-up (E) or volume-down (C) buttons to adjust the phone volume during the cell phone conversation. Additional cell phone volume adjustments can also be made on the cell phone itself, but during actual conversation only.
9. To terminate the phone call from the HS-WLS465, depress the multifunction button (B) briefly or just wait until the party that you were speaking with hangs up.
10. To utilize "voice command" dialing, (the cell phone must support this feature), press the volume up button (E) twice rapidly and listen for the voice/tone prompt from the cell phone. To redial the last number called, briefly press the volume down button (C) twice rapidly.
11. If you wish to use the FM stereo radio, in conjunction with the cell phone monitoring, depress the multifunction button (B) twice rapidly.
12. To switch back to Bluetooth or FM stereo music, turn back on the MP3 player or stereo dongle, and then depress the multifunction button (B) twice rapidly.

## **Pairing and Operation with two or three HS-WLS465 Headset's in the Helmet-to-Helmet Intercom Mode.**

1. In this linking scenario, put the first HS-WLS465 into pairing mode by first pressing and holding the ON/OFF pairing and intercom linking button (A) until blue and red LED's flash rapidly.
2. Now put the second HS-WLS465 headset into pairing mode and then press the ON/OFF pairing and intercom linking button (A) once on this headset, at which time they will link together.
3. If you wish to link a third headset for helmet-to-helmet intercom mode, turn off both the first and second headsets and then put the second headset back into pairing mode.
4. Now put the third headset into pairing mode and then press the ON/OFF pairing and intercom linking button (A) once on the third headset, at which time they will link together.

5. Turn off both the second and third headset and then put the first HS-WLS465 headset back into pairing mode and put the third HS-WLS465 headset back into pairing mode and then press the ON/OFF pairing and intercom linking button (A) once on the third headset, at which time they will link together.
6. Turn the second headset back on by pressing and holding the ON/OFF pairing and intercom linking button (A) for 8 seconds.
7. The first and third headsets are currently paired and two way communications are available between the two headsets. To switch from the first and third headsets to the first and second headsets, first disconnect the first and third headsets by pressing the ON/OFF pairing and linking button (A) once on either the first or third headset and then press the ON/OFF pairing and intercom linking button (A) twice rapidly on the first headset. The first and second headsets are now currently paired and have two way communications between the two headsets. To disconnect the intercom between the first and second headset press the ON/OFF pairing and intercom linking button (A) once on either headset. To reconnect the first and second headset, press the ON/OFF pairing and intercom linking button (A) once. If you wanted to connect the first and third headset instead of the first and second headsets together, the ON/OFF pairing and intercom linking button (A) would need to be pressed twice rapidly instead of once. The headset will reconnect to the last headset connected by pressing the ON/OFF pairing and intercom linking button (A) once and will reconnect to the headset not connected to last by pressing the ON/OFF pairing and intercom linking button (A) twice rapidly.
8. If you wish to use the FM stereo radio depress the multifunction button (B) twice rapidly.
9. To switch back to Bluetooth music or FM stereo, depress the multifunction button (B) twice rapidly.
10. To add a cell/smart phone to headset #one, two or three in the group, turn off all three headsets, then go thru the pairing and operation with a cell/smart phone, individually, one at a time for each headset, then turn back on both, or all three for complete, intercom, music & cell/smart phone operation.

## **Pairing and Operation with a Bluetooth Enabled GPS Command Center.**

1. Put the HS-WLS465 into pairing mode. From the menu on the GPS command center, go into the Bluetooth section and search for "headset". When JM\_CORP\_WHS\_01 is displayed on your screen and you are asked for a passkey, enter: 0000. Your device should now be paired with the HS-WLS465.
2. If you wish to use headset cell-phone functions simultaneously with your GPS command center, you will need to link the cell phone direct to the GPS unit as per the linking/operation instructions included with your particular unit.
3. If any one of the HS-WLS465 headsets receives an incoming navigation command from the GPS/or cell-phone call, the helmet-to-helmet intercom will be interrupted. Once the navigation command or cell-phone call has been terminated from the GPS the intercom, (if active) will return.
4. Use the volume-up (E) or volume-down (C) buttons on the headset to adjust the music volume, navigation command volume and/ or cell/ smart phone volume levels.
5. Additional music, navigation command and cell phone volume adjustments can usually be made inside the GPS command center itself, but the flexibility of these adjustments depends totally upon the particular brand/model of the GPS unit you are using.
6. If you wish to use the FM stereo radio, while linked to the GPS command center, depress the multifunction button (B) twice Rapidly.

Thank you for the confidence you have shown by purchasing one of J&M's innovative products. If you have any questions during the installation, or require further assistance, you may call us at 1-800-358-0881 from 8:00 a.m. to 5:00 p.m. Mountain Standard Time, Monday through Friday.



Tucson, Arizona U.S.A.

Tel (800) 358-0881

Website: <http://www.jmcorp.com>

E-mail: [audio@jmcorp.com](mailto:audio@jmcorp.com)