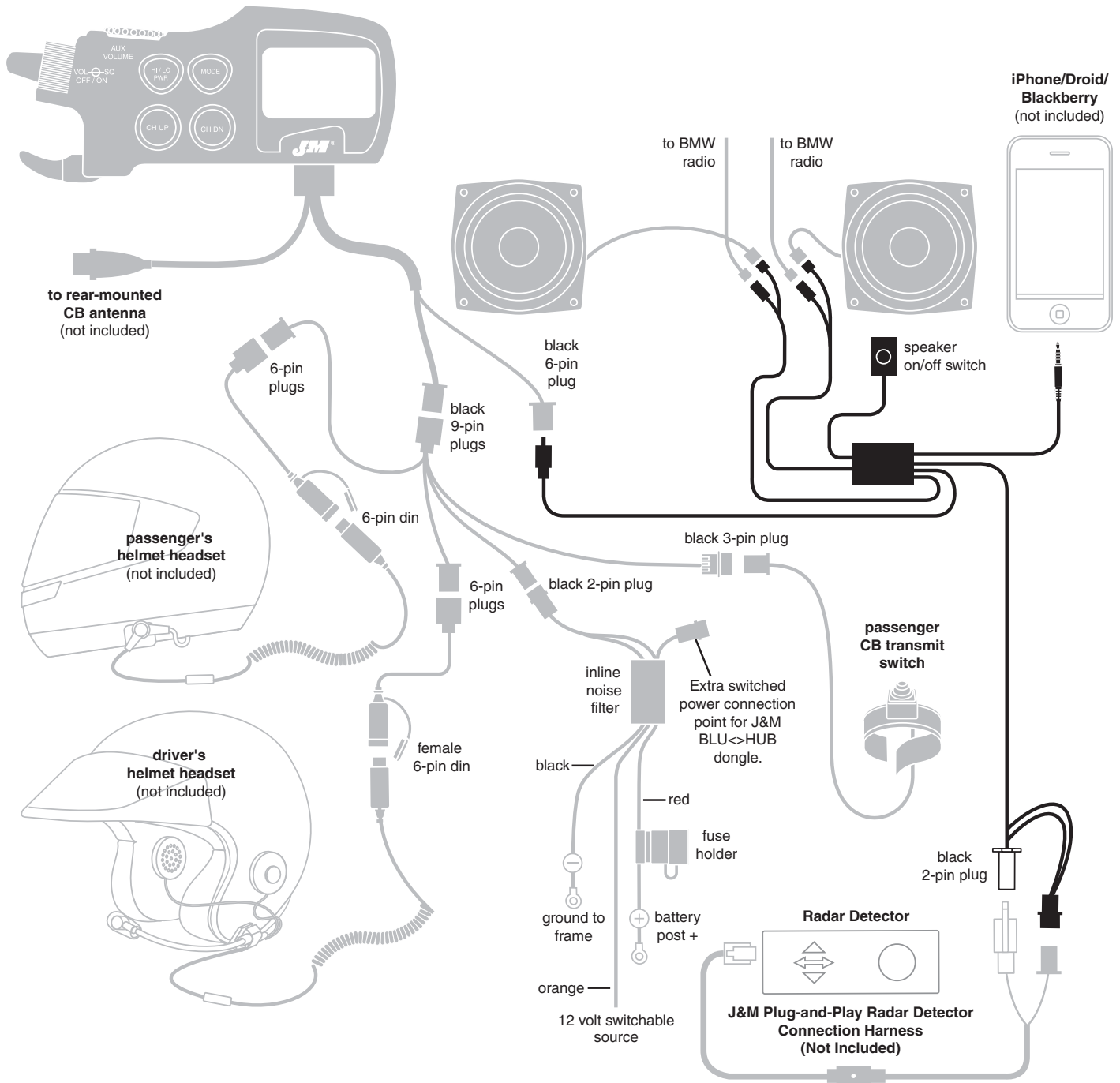


**BMW R1200RT
Radio Adapter for
JM CB-2003E-BW**

#FGA-345-R12RT

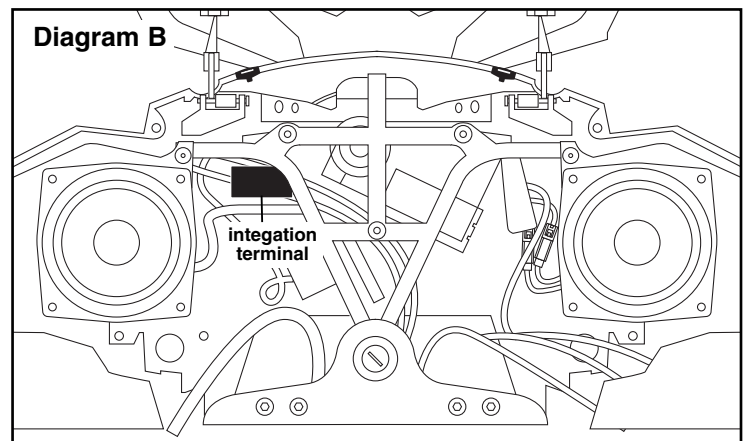
**Installation
Instructions**

Diagram A



Installation Instructions

1. Remove upper fairings, left and right side mirrors, trim around speedometer cluster, speedometer cluster.
2. Clean the surface behind the speedometer cluster with denatured alcohol. **Diagram B**
3. Remove the backing from the double-sided mounting tape and mount the FGA-345-R12RT integration terminal to the area left of the windshield motor. **Diagram B**
4. Route the cables to the right side speaker housing and plug the connectors from the FGA-345-R12RT into the connectors going to both speaker housings. **Diagram A, B, C**



5. Route the external speaker on/off switch to the dash. Drill a 15/32" hole to mount the on/off switch and install the switch.
Diagram D

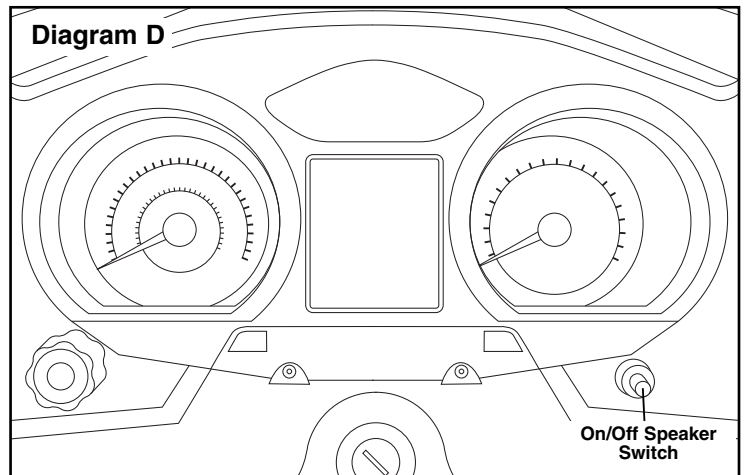
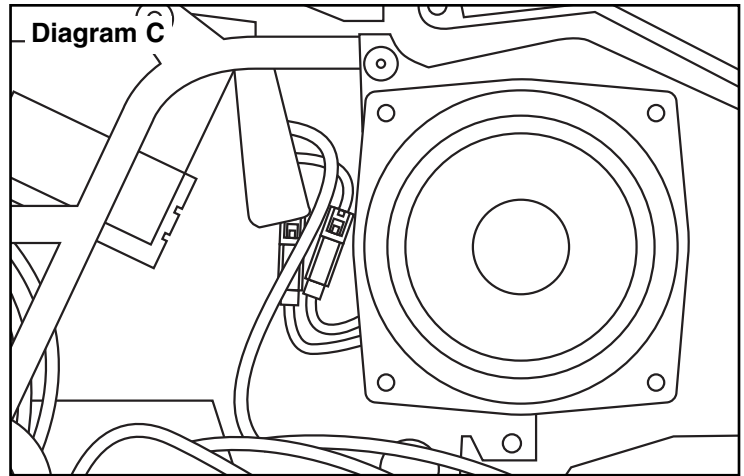
6. Route the 6 pin black plug from the FGA-345-R12RT integration terminal to the 6 pin black plug from the JMCB-2003E-BW. **Diagram A**

Operation Instructions

1. Rotate the music volume control knob on the JMCB-2003E-BW to maximum.
2. The stock radio stereo music volume should now be increased and decreased using the stock handlebar jog control.
3. The on/off speaker switch controls music to the external speakers only. The music will play in the headset regardless of position of the on/off external speaker switch.

Cell Phone Operation Instructions

1. Plug in a cell phone to the 3.5mm 4 conductor plug.
2. Set cell phone to auto answer.
3. Rotate music volume control knob on JMCB-2003E-BW to maximum.
4. While actually talking on the phone adjust the volume on the cell phone to a maximum comfortable listening level.
5. Additional volume adjustments for the cell phone volume can now be made while riding using the music volume control on the JMCB-2003E-BW.
6. When receiving a call while riding, adjust radio volume to minimum using the handlebar jog dial control, for the duration of the cell phone call.



Thank you for the confidence you have shown in J&M Corporation by purchasing one of our innovative products.

If you have any question or comments about this product, you may contact us at USA 1-520-624-7000 Monday thru Friday, 8:00AM thru 5:00PM Mountain Standard Time.



1415 S. Cherry Avenue
Tucson, AZ 85713 U.S.A.
Tel (800) 358-0881
Website: <http://www.jmcorp.com>
E-mail: audio@jmcorp.com

WARRANTY AND REPAIR INFORMATION

TWO YEAR LIMITED WARRANTY In order to facilitate the servicing of this warranty, the Warranty Registration Form should be filled out and returned within 10 days of the date of purchase. However, return of the Warranty Registration Form is not a precondition of this warranty, and this Warranty will be observed by **J&M CORPORATION** whether or not the Warranty Registration Form is returned, on the condition that other satisfactory evidence of the date of the original purchase is provided to **J&M CORPORATION**.

WHO PROVIDES THE WARRANTY? This warranty is provided by **J&M CORPORATION**.

WHO IS PROTECTED? This warranty is extended only to the original owner of this J&M CORPORATION product and may not be transferred or assigned.

WHAT IS COVERED AND HOW LONG? This warranty covers all defects in material or workmanship of our product for a period of 2 years from date of original retail purchase. At its option, **J&M CORPORATION** will repair or replace any defective part(s) or equipment.

The provisions of the warranty shall not apply to any unit which has been subjected to misuse, neglect, incorrect mechanical or electrical installation, unauthorized modifications, accident, nor to units which have been repaired or altered outside of our factory.

PROCEDURE FOR OBTAINING PERFORMANCE OF WARRANTY In the event that the product does not conform to this warranty, the product should be shipped prepaid to the **J&M CORPORATION** service facility. Transportation charges, insurance fees, and labor costs for shipment, removal, or reinstallation of our product are not covered by this warranty. Loss or damage in shipment is the sole responsibility of the freight carrier.

FOR YOUR INFORMATION Repair as provided under this warranty is the exclusive remedy of the consumer. **J&M CORPORATION** shall not be liable for any incidental or consequential damages or for breach of any express or implied warranty on this product. Except to the extent prohibited by applicable law, any implied warranty of merchantability or fitness for a particular purpose on this product is limited in duration to the duration of the warranty. Some states do not allow the exclusion or limitation of incidental or consequential damages, or allow limitations on how long an implied warranty lasts, so the above limitations or exclusion may not apply to you. This warranty gives you specific legal rights which vary from state to state.

J&M CORPORATION reserves the right to make changes in design and to make improvements in its products without the obligation to incorporate the changes or improvements in any of its previously manufactured products.

J&M CORPORATION has not authorized anyone to make representations or warranties other than the warranty contained herein.

The above warranty is effective for all products manufactured after 10/01/86.

NON-WARRANTY REPAIR RATES **J&M CORPORATION** reserves the right to change the labor repair rates without prior notice. At the time of this printing the out-of-warranty repair is \$40 per hour for labor only. However, the customer is advised to verify the current rate when he/she calls customer service to obtain the return authorization number.

FACTORY SERVICE ADDRESS J&M Corporation, 1415 S. Cherry Avenue, Tucson, Arizona, 85713, U.S.A. Tel: 1-800-358-0881
audio@jmc Corp.com www.jmc Corp.com

CUSTOMER SERVICE NUMBER 1-800-358-0881



WARRANTY REGISTRATION FORM

Please fill out this card completely and mail it immediately after purchase. Please be sure that your zip code and serial number (if applicable) are legible. This will help us to serve you better.

(PLEASE PRINT)

Name _____

Address _____

City _____ State _____ Zip _____

Motorcycle Other E-mail _____

Make _____ Model _____ Year _____

Product part number _____

Serial number (if applicable) _____

Date of purchase _____

Name of dealer it was purchased from _____



Mail to:
J&M Corporation
1415 S. Cherry Avenue
Tucson, AZ 85713
U.S.A.